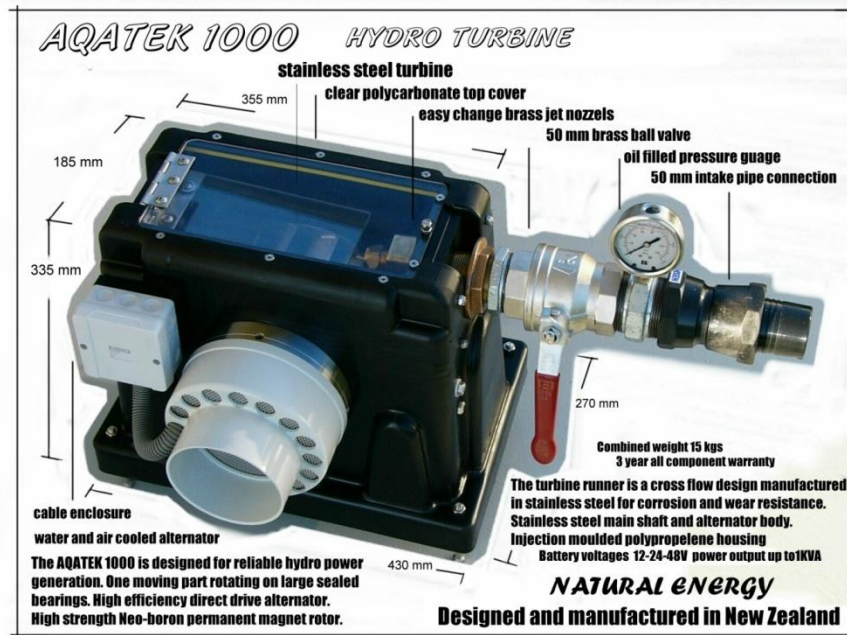
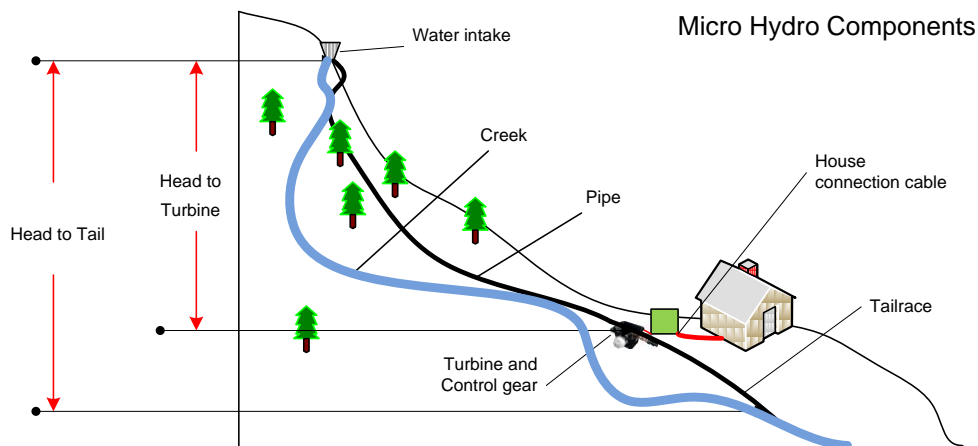


AQATEK 1000 HYDRO TURBINE



Flow through micro hydro turbine-generator set for charging battery banks of SMART power supply systems or grid connect power systems Useable with heads between 2.5m and 90m with a maximum flow rate depending on the head between 0.2 to 3.5 litres a second.

The system is designed for maintenance-free operation, one moving part on large sealed bearings direct drive high efficiency brushless alternator and Stainless steel components.



Special Features

- Stainless steel cross-flow turbine runner
- Easy nozzle change to suit flow and head conditions
- Useable heads: 2.5m plus
- Flow range: 0.2 to 3.5 l/s
- Power output range: 50 to 500W
- Alternator: direct drive, rare earth permanent magnet, Water cooled stainless steel body, stator and winding adjusted to site, high power, high strength, 25mm sealed bearing, 25mm stainless steel shaft
- Housing: injection moulded polypropylene

Warranty

- 3 years workmanship and materials for turbine

Technical Data

System voltage: 12/24/48V

Rated Power: Max. 500W

Max generator output 1Kva

Type of runner: cross-flow

Body material: bronze or stainless steel

Flow control: changeable nozzles

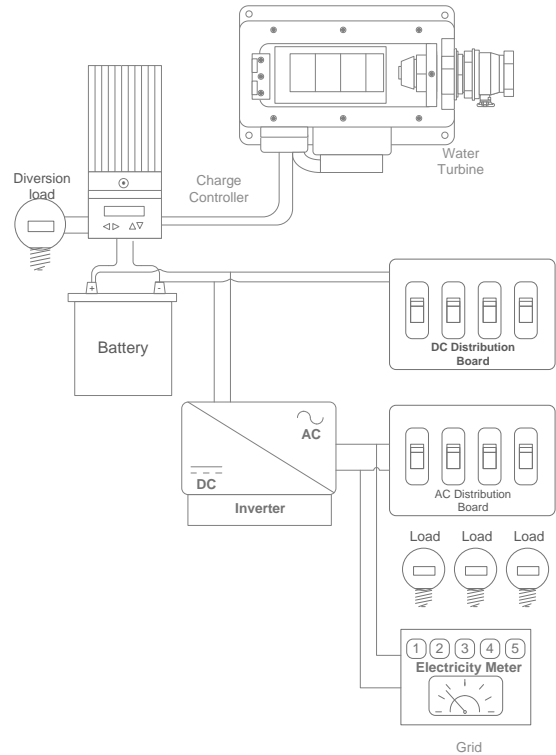
Flow rate: max. 3.5l/s

Head: 2.5-90m

Type of generator

3 phase permanent magnet AC

Load control: shut



Example of system line drawing

Alternator Output Connections

- **Star** Highest Voltage highest coil resistance
- **Delta** Mid Voltage Low coil resistance
- **Parallel** Low Voltage Lowest coil resistance

On-site testing will indicate the most efficient type of connection for the individual site

